

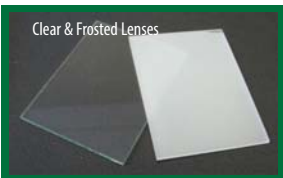
# Professional Grade Flood / Wall Wash Fixtures

Constructed of solid cast brass, Wally, Illumicare's wide wall wash is ideal for illuminating walls, custom sign work and large surfaces.

With a frosted poly-carbonate lens, Wally can also be used for backlighting, silhouetting and shadowing effects in your landscape design.

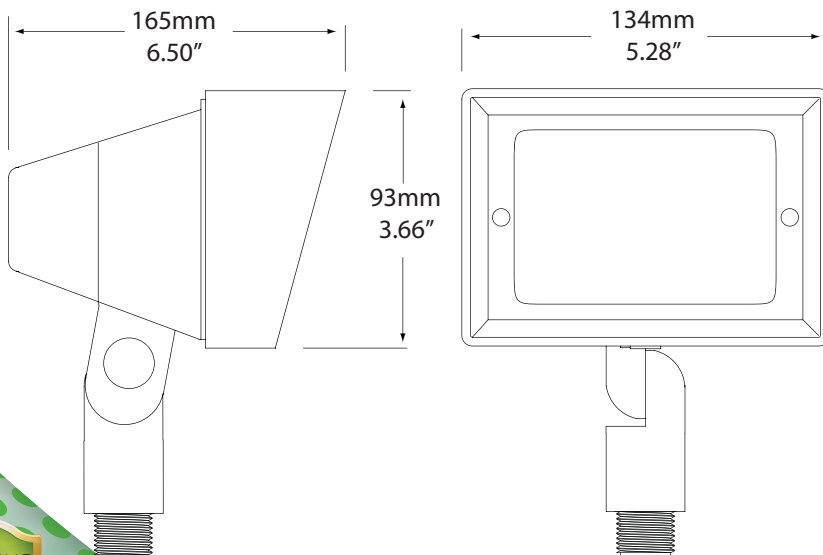
Wally can enhance the structural elements of your home by washing a wall, chimney or other hardscape elements in light. In winter months, textured wall surfaces can distract from bare branches of deciduous trees and shrubbery.

Wally is perfect for illuminating brick, stucco, cobblestone and tree bark to add a dramatic effect to your overall design.



### Specifications

<i>Construction:</i>	Solid Cast Brass
<i>Dimensions:</i>	650" x 5.28"
<i>Finish:</i>	Weathered Red Brass
<i>Weight:</i>	3.00 lbs
<i>Wire:</i>	36" 18/2 UL Rated Lead Wire
<i>Socket:</i>	Beryllium Copper, Pre-Greased
<i>Lamp:</i>	LED G4 Bipin, G5.3, MR11*
<i>Wattage:</i>	Maximum 20 Watts
<i>Lens:</i>	Clear Linear Tempered Glass
<i>Voltage:</i>	12V
<i>Includes:</i>	7" Brass Stake, Clear & Frosted Lenses



### Recommended LED Lamps

<b>LED 19MM G4 BiPin</b>	190 Lumens 1.8W 3000K
<b>LED G5.3 BiPin</b>	230 Lumens 2.5W 3000K
<b>LED G4 BIPIN REAR</b>	125 Lumens 1.6W 3000K
<b>LED G4 BiPin 2700K</b>	190 Lumens 1.8W 2700K
<b>LED G5.3 BiPin 2700K</b>	230 Lumens 2.5W 2700K
<b>LED G4 BIPIN REAR 2700K</b>	125 Lumens 1.6W 2700K
<b>LED MR11 WW 1545</b>	250 Lumens 4W 3000K

\*Lamp and surface mount not included

