

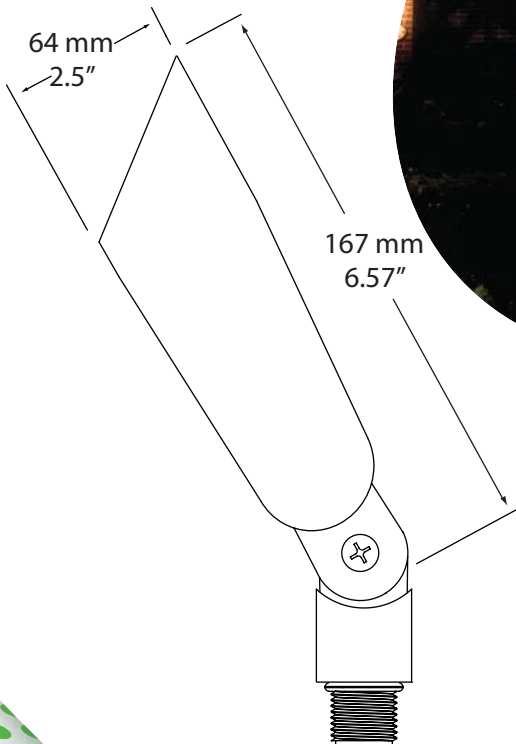
Solid Brass Directional Fixtures

The star of our weathered brass fixture line, Jasper, offers a sleek, compact design that adds beauty to any landscape project.

Suited for both commercial and residential projects, this rugged fixture is constructed of solid red brass offering superior strength and reliability. The adjustable shroud can be secured in place easily with the quick-lock set screw and silicone o-ring gaskets to ensure a weather-tight seal under harsh conditions.

Jasper's clear convex glass lens offers superior optics while protecting the lamp from moisture and debris.

Positioned close to tree trunks and other structures, Jasper can emphasize texture and form. Positioned at a distance, this brass fixture is perfect for adding a dramatic effect to dense foliage.



Recommended LED Lamps	
LED 6W VWW 15 SP	6W MR16 2700K 15° Spot
LED 6W VWW 45 FL	6W MR16 2700K 45° Flood
LED 6W WW 15 SP	6W MR16 3000K 15° Spot
LED 6W WW 30 NFL	6W MR16 3000K 30° Narrow Flood
LED 6W WW 45 FL	6W MR16 3000K 45° Flood
LED 6W NW 15 SP	6W MR16 4000K 15° Spot
LED 6W NW 45 FL	6W MR16 4000K 45° Flood
LED 6W CW 15 SP	6W MR16 5500K 15° Spot
LED 6W CW 45 FL	6W MR16 5500K 45° Flood
LED 2X WW 15 SP	7W MR16 3000K 15° Spot
LED 2X WW 30 NFL	7W MR16 3000K 30° Narrow Flood
LED 2X WW 45 FL	7W MR16 3000K 45° Flood

Specifications

Construction:	Solid Cast Brass
Dimensions:	2.50" x 6.57"
Finish:	Weathered Red Brass
Weight:	2.35 lbs
Wire:	36" 18/2 UL Rated Lead Wire
Socket:	Beryllium Copper, Pre-Greased
Lamp:	LED MR16*
Wattage:	Maximum 20 Watts
Lens:	Clear Tempered Glass
Voltage:	12V
Includes:	7" Brass Stake

*Lamp and surface mount not included

