

EROS & EROS SS

Precision Engineered Directional Luminaire



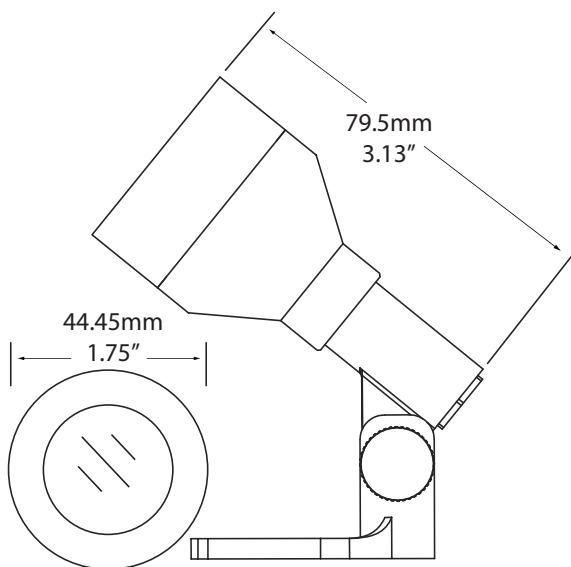
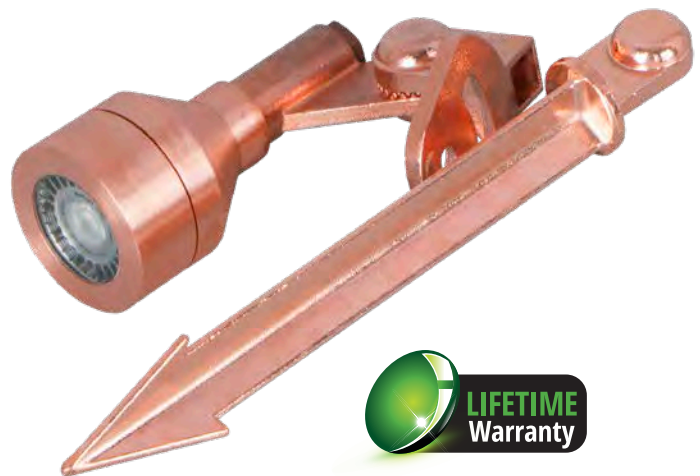
The finely machined, sleek and compact Eros and Eros SS luminaires offer the flexibility of ground and surface mount all in one box.

Suited for both commercial and residential projects, this durable fixture is offered in both 316 marine grade stainless steel and solid 8mm machined copper.

Whether you're lighting trees, foliage, architectural pieces or other structures, Eros' dual-mount feature, combined with its compact size make it an essential fixture in any outdoor lighting design.

As an uplight, using the included solid brass stake, Eros can be positioned close to tree trunks and other structures to emphasize texture and form. Positioned at a distance, this precision fixture is perfect for adding a dramatic effect to dense foliage. For downlighting large or focused activity areas on patios, lawns, arbors, pools and paths, Eros can be discreetly mounted high on trellises, eaves, gazebos and mature trees.

This versatile, directional luminaire uses an MR11 lamp protected by a 5mm (1/8") lense to achieve a soft, ambient light, while providing superior protection from moisture and debris. Eros also includes 8' of 18/2 waterproof UL-listed wire to stop water intrusion.



Construction:	Machined 8mm Copper or 316 Marine Grade Stainless Steel
Dimensions:	3.13" x 1.75"
Lamp:	LED MR11*
Wattage:	Maximum 20 Watts
Lens:	1/8" Flat Tempered Glass
Socket:	Ceramic MR11 Socket
Wire:	8' 18/2 UL-Listed Wire
Weight:	1.00 lb
Includes:	7" Brass Stake
Voltage:	12V

*Lamp not included