

Precision Engineered Spot / Flood Luminaires

Artemis, Illumicare's adjustable wall mount directional luminaire, is a precision engineered fixture designed for spot, up, and down lighting applications where you need the fixture to be elegant, yet unobtrusive. The contemporary design of the shroud masks the lens directs the light output to eliminate unsightly glare.

Illumicare's wall mount directional fixtures use MR16 lamps to achieve concentrated spot illumination to highlight foliage, statuary and other accent pieces.

Available in both copper and stainless steel, Artemis is designed for mounting on the surface of masonry, stone or wood.



ARTEMIS

Construction:	Machined 8mm Copper or 316 Marine Grade Stainless Steel
Dimensions:	8.66" x 2.48"
Lamp:	LED MR16*
Wattage:	Maximum 20 Watts
Lens:	1/8" Flat Tempered Glass
Socket:	Ceramic MR16 Socket
Wire:	UL Listed Lead Wire
Weight:	3.00 lbs
Includes:	Fully Adjustable Bracket
Voltage:	12V

*Lamp not included

Available
Finishes:



Copper



Stainless Steel

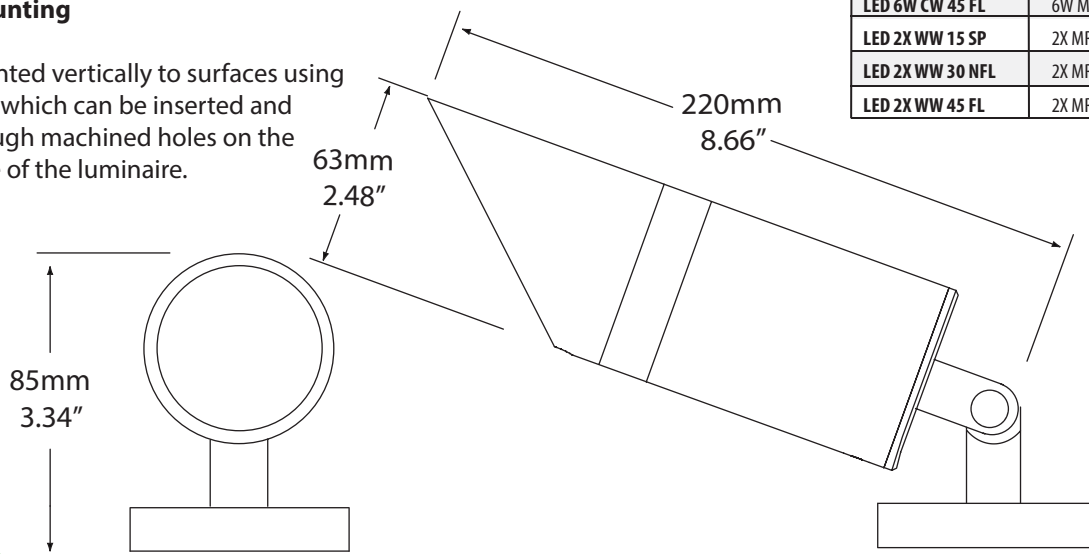


Recommended LED Lamps

LED 6W VWW 15 SP	6W MR16 2700K 15° Spot
LED 6W VWW 45 FL	6W MR16 2700K 45° Flood
LED 6W WW 15 SP	6W MR16 3000K 15° Spot
LED 6W WW 30 NFL	6W MR16 3000K 30° Narrow Flood
LED 6W WW 45 FL	6W MR16 3000K 45° Flood
LED 6W NW 15 SP	6W MR16 4000K 15° Spot
LED 6W NW 45 FL	6W MR16 4000K 45° Flood
LED 6W CW 15 SP	6W MR16 5500K 15° Spot
LED 6W CW 45 FL	6W MR16 5500K 45° Flood
LED 2X WW 15 SP	2X MR16 3000K 15° Spot
LED 2X WW 30 NFL	2X MR16 3000K 30° Narrow Flood
LED 2X WW 45 FL	2X MR16 3000K 45° Flood

Luminaire Mounting

Artemis is mounted vertically to surfaces using two set screws, which can be inserted and tightened through machined holes on the mounting plate of the luminaire.



© 2012, Illumicare Group Limited